

# **GAMA SONIC<sup>®</sup>**

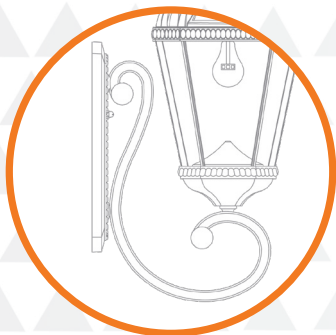
## **SOLAR LIGHTING**



**Post/3\"/>**



**Pier Mount**



**Wall Mount**




**Instruction Manual**

## **ROYAL BULB SOLAR LAMP**

Part # 98B010, 98B110, 98B310, 98B011,  
98B111, 98B311, 98B012, 98B112, 98B312

US patents  
# 7172307, 9458970

 Please read the instruction manual carefully to obtain the best results from your purchase.

**Thank you for your purchase! GAMA SONIC®** solar charged lights are brighter and last all night with a typical solar charge. Unique design, superior light output and numerous installation options confirm the outstanding value of our product. **GAMA SONIC®** has been recognized as a worldwide leader in the lighting industry for over 20 years.

Technical Assistance / Warranty Claims / Replacement Parts  
Toll-Free number: +1-800-835-4113 (only within the US) or [www.gamasonic.com](http://www.gamasonic.com)

Visit our website or download the latest version of your instruction manual:  
[www.gamasonic.com](http://www.gamasonic.com) or [www.gamasonic.com/user-guides](http://www.gamasonic.com/user-guides)

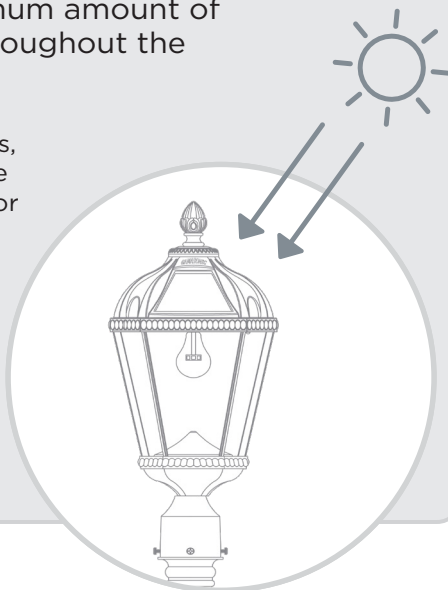
## Gama Sonic's Bulb Technology

Gama Sonic's patented Bulb technology gives your solar lamp the look and feel of a traditional incandescent lamp. This helps to distribute light further than traditional solar lamps.

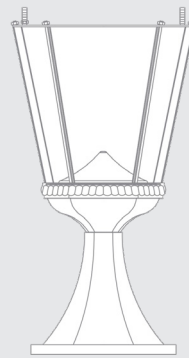
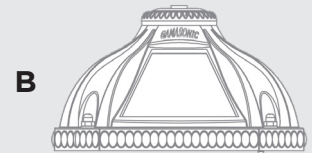
## Solar Lamp Location

For optimum light duration throughout the night, it is very important to mount your solar lamp in a spot where it will receive the maximum amount of direct sunlight throughout the day.

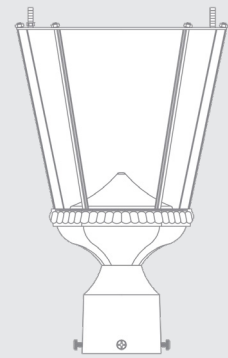
**NOTE:** For best results, the solar light must be charged in the "High or Low" position for at least 2 days of full direct sunlight.



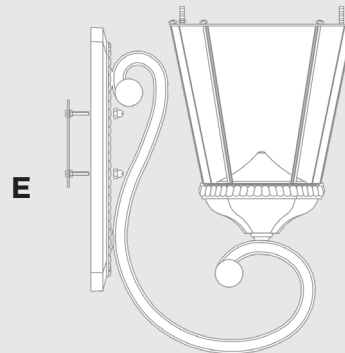
## What's In The Box



98B011, 98B111,  
98B311 only



98B012, 98B112,  
98B312 only



98B010, 98B110,  
98B310 only

### Hardware



### Bulb



## Assembly Instructions

### 3" Fitter Mount

**NOTE:** If you are replacing an existing gas electric post light, you must consult a certified technician to disconnect them before installation.

1. Attach the 3" fitter fixture (D) by sliding the mount over your existing pole and secure using the 3 set screws.

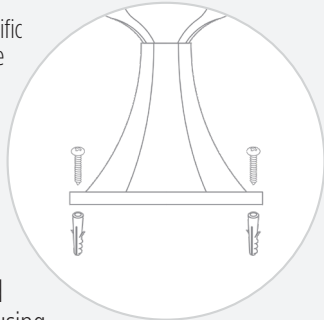
**NOTE:** Be sure to not overtighten the set screws.



### Pier Mount

**NOTE:** There are specific types of screws for specific surfaces. If you're unsure of the appropriate type of screw to use on your desired surface, please consult a professional.

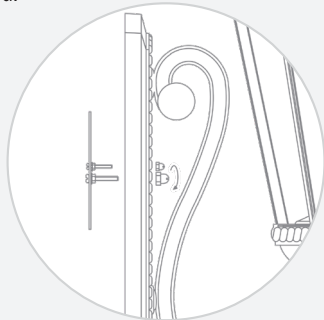
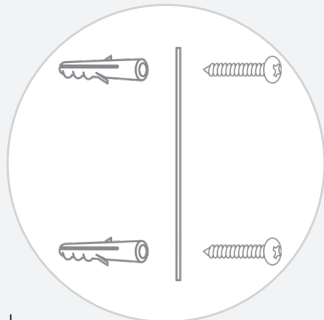
1. Use a drill to make two holes in the desired mounting location (use the pier mount fixture (C) as a template for drilling locations)
2. Insert the anchors into the holes and secure the fixture (C) to the surface using the provided screws.



### Wall Mount

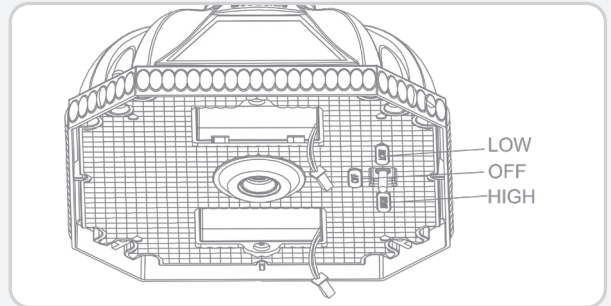
**NOTE:** Installing the light on a wall may limit the solar panel for sun exposure. Make sure the lamp is mounted so direct sun exposure is available.

1. Remove the silver bracket from the Wall Mount Fixture (E) by removing the two screw caps.
2. Use a drill to make two holes in the wall where the lamp will be mounted. (use the wall mount as a template for drilling locations but make sure to keep the two screw posts horizontal)
3. Place the anchors into the holes and secure the bracket to the wall.
4. Secure the wall mount fixture (E) to the wall by sliding the fixture on to the bracket and securing with the two screw caps.



## Operation Instructions

1. Remove the two screw caps from the top (B).
2. Install the GS Solar LED Bulb into the lamp by holding it at the base and turning clockwise.
3. Turn the operation switch to your desired setting:  
**Low = Softer light output and longer duration**  
**High = Brighter light output**
4. Place the top (B) back on the fixture and secure with the two screw caps.
5. Install the finial (A) into the top (B) by twisting clockwise.



## Replacement Parts

**Replacement Batteries and Bulbs are available at [www.gamasonic.com](http://www.gamasonic.com) or via our Toll Free number: +1-800-835-4113**

Your Lamp can use the following bulbs:

A50WW10W – included bulb with Warm White LEDs (2700K)

A50BW10W – bulb with Bright White LEDs (6000K)

F30WW05W – Flame bulb with simulated flame LEDs

T45WW10W – Edison LED Bulb with Warm White LEDs (2700k)

Your Lamp uses two of the following battery:

GS32V30

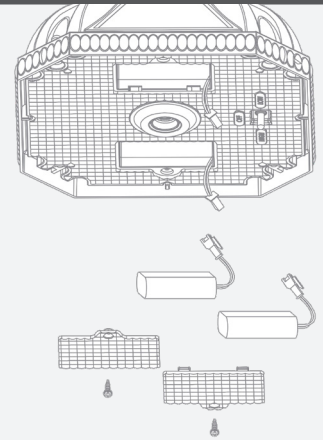


## Replacing the battery

**GAMA SONIC®**  
SOLAR LIGHTING

After several years of use, the battery may need replacing.

1. Remove the top (B) by unscrewing the two screwcaps.
2. Switch the unit OFF and remove the bulb.
3. Remove the screw and battery compartment cover.
4. Unclip and remove the battery.
5. Replace with a high quality Li-Ion 3.2V / 3000mAh battery with matching connector (Item GS32V30).
6. Install the battery in the compartment and secure the cover with the screw.
7. Repeat steps 3-6 for the second battery compartment.
8. Install the bulb and switch the unit ON to your desired setting.
9. Place the top (B) back on the fixture and secure with the two screw caps.



Batteries are available for purchase at [www.gamasonic.com](http://www.gamasonic.com)

**WARNING:** Do not dispose of Li-Ion batteries in the regular trash, municipal waste stream or by fire as batteries may leak or explode. Do not open, short circuit, or mutilate batteries as injury may occur. Preserve our environment by recycling Li-Ion batteries or disposing of them in accordance with local, State, and federal regulations. Do not mix old and new batteries.

## Maintenance

Clean the solar panels regularly with a damp towel to guarantee optimum performance. Do not use any type of solvent for cleaning and be careful not to put too much pressure on the solar panels while cleaning.

## Troubleshooting

If your solar light does not come on as expected despite observance of all the instructions, please try the following steps:

1. Make sure that the solar lamp is not being affected by any other light source.
2. Ensure the solar lamp is not positioned in the shade during the day.
3. Check that the batteries are installed correctly.

**NOTE:** The performance of the solar lamp will vary with the time of year. It will last longer when it has had a full day in the sun rather than a day in overcast weather.



**WINTERTIME TIPS:** For optimal performance, be sure to remove any snow or debris accumulation from solar panel(s). A solar panel free of debris will charge the batteries much more efficiently.

**WARNING:** Please keep out of reach of children. Do not dispose of the Li-Ion battery in the regular trash, municipal waste stream or by fire as batteries may leak or explode. Do not open, short circuit, or mutilate batteries as injury may occur. Preserve our environment by recycling Li-Ion batteries or disposing of them in accordance with local, State and federal regulations. Do not mix old and new batteries.