

# **GAMA SONIC<sup>®</sup>**

## **SOLAR LIGHTING**



## **SILO BULB SOLAR LIGHT**

Part #: 20B50033

 Please read the instruction manual carefully to obtain the best results from your purchase.

**Thank you for your purchase! GAMA SONIC®** solar charged lights are brighter and last all night with a typical solar charge. Unique design, superior light output and numerous installation options confirm the outstanding value of our product. GAMA SONIC® has been recognized as a worldwide leader in the lighting industry for over 20 years.

**Technical Assistance/Warranty Claims/Replacement Parts**  
**Toll Free Number: +1-800-835-4113 (only within the US) or [www.gamasonic.com](http://www.gamasonic.com)**

**Visit our website or download the latest version of your instruction manual:**  
**[www.gamasonic.com](http://www.gamasonic.com) or [www.gamasonic.com/user-guides](http://www.gamasonic.com/user-guides)**

## GAMA SONIC'S BULB TECHNOLOGY

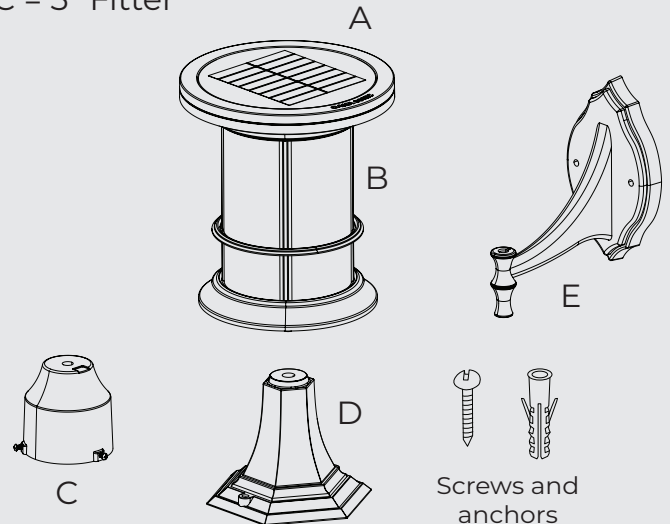
Gama Sonic's patented Bulb technology gives your solar lamp the look and feel of a traditional incandescent lamp. This helps to distribute light further than traditional solar lamps.

## 1. Solar Lamp Location

For optimum light duration throughout the night, it is very important to mount your solar lamp in a spot where it will receive the maximum amount of direct sunlight throughout the day.

## 2. What's in the Box

A = Top  
B = Fixture  
C = 3" Fitter  
D = Pier Base  
E = Wall Mount



For best results, the solar light must be charged in the "ON" position (High or Low) for at least 2 days of full direct sunlight.

### 3. Assembly Instructions

**NOTE:** The following steps are for reference only. Consult your local hardware store for the best installation method for your surface.

1. Remove the top (A) from the fixture by removing the two screws from the underside of the top.
2. Install the GS Solar LED Bulb into the top (A) by twisting it clockwise. Be sure to hold the bulb by its base.
3. Turn the lamp on using the operation switch located on the underside of the top (A)
4. Attach the top (A) to the fixture (B) and secure with the two screws.

#### 3" Fitter Mount

**NOTE:** If you are replacing an existing gas/electric post light, you must consult a certified technician to disconnect them before installation.

- Begin by attaching the Fitter (C) to the fixture (B). Secure the fitter (C) by twisting it clockwise.
- Place part (C) on your existing 3" pole and secure with the provided set screws.
- Be sure to not overtighten the screws.

#### Pier (Flat) Mount

- Using the pier mount (D) as a template, drill two holes in the desired mounting location.
- Place the anchors in the holes and secure the mount (D) to the surface using the provided screws.
- Attach the fixture (B) to the mount (D) by twisting the fixture clockwise.

#### Wall Mount

**Note:** Installing the light on a wall may limit the solar panel for sun exposure. Make sure the lamp is mounted so direct sun exposure is available.

- Using the wall mount (E) as a template, drill two holes in the desired mounting location.
- Place the anchors in the holes and secure the mount (E) to the wall using the provided screws.
- Attach the fixture (B) to the mount (E) by twisting the fixture clockwise.

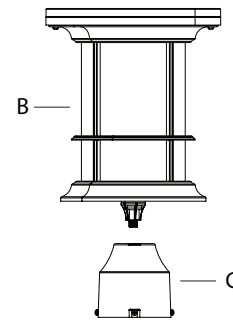
### 4. Operation Instructions

1. Install the GS Solar LED Bulb in the top (A).
2. Locate the operation switch on the underside of the top (A).
3. Turn the operation switch to the Low or High position according to your preferences:

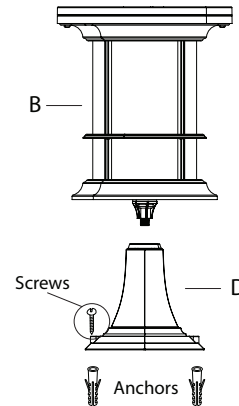
- Low = Softer light and longer duration
- High = Brighter light output

The solar Lamp will automatically operate at dusk.

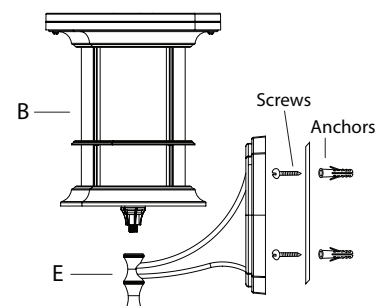
#### A. 3" Fitter



#### B. Pier Mount



#### C. Wall Mount





### After several years of use, the battery may need replacing.

1. Remove the top (A) from the fixture by removing the two screws from the underside of the top.
2. Make sure the ON/OFF switch is in the OFF (O) position.
3. Unscrew the battery compartment located on the silver reflector and remove the compartment door.
4. Unclip the connector and remove the old battery.
5. Make sure the new battery is a Gama Sonic – 3.2V/1,500mAh (Item GS32V15), Li-ion Rechargeable Battery with a connector.
6. Clip on the new battery and install it into the battery compartment. Re-Install the battery compartment cover.
7. Repeat steps 3 to 6 for the second battery.
8. Reassemble the lamp by reversing steps 1-3.

Replacement Batteries and Bulbs are available at [www.gamasonic.com](http://www.gamasonic.com)

or via our Toll Free number: **+1-800-835-4113**.

### Your Lamp can use the following bulbs:

A50WW10W

Included bulb with Warm White LEDs (2700K)

A50BW10W

Bulb with Bright White LEDs (6000K)

F30WW05W

Flame bulb with simulated flame LEDs

### Your Lamp uses the following battery:

GS32V15

Li-Ion 3.2V/1500mAh

Replacement Batteries and Bulbs are available at [www.gamasonic.com](http://www.gamasonic.com)

## Maintenance

Clean the solar panels regularly with a damp towel to guarantee optimum performance. Do not use any type of solvent for cleaning and be careful not to put too much pressure on the solar panels while cleaning.

## Troubleshooting

If your solar light does not come on as expected despite observance of all the instructions, please try the following steps:

1. Make sure that the solar lamp is not being affected by any other light source.
2. Ensure the solar lamp is not positioned in the shade during the day.
3. Check that the batteries are installed correctly.

**NOTE:** The performance of the solar lamp will vary with the time of year. It will last longer when it has had a full day in the sun rather than a day in overcast weather.



**WINTERTIME TIPS:** For optimal performance, be sure to remove any snow or debris accumulation from solar panel(s). A solar panel free of debris will charge the batteries much more efficiently.

**WARNING:** Please keep out of reach of children. Do not dispose of the Li-Ion battery in the regular trash, municipal waste stream or by fire as batteries may leak or explode. Do not open, short circuit, or mutilate batteries as injury may occur. Preserve our environment by recycling Li-Ion batteries or disposing of them in accordance with local, State and federal regulations. Do not mix old and new batteries.

