

GAMA SONIC®

SOLAR LIGHTING

FARMHOUSE SOLAR WALL LIGHT

US Patent # 9458970

Instruction Manual

Model: GS-130W



Introduction

Thank you for your purchase! **GAMA SONIC®** solar charged lighting eliminates the problems associated with most solar lighting available today. **GAMA SONIC®** solar lights are brighter and last all night with a typical day charge. Unique design, superior light output and numerous installation options confirm the outstanding value of our product. **GAMA SONIC®** has been recognized as a worldwide leader in the lighting industry for over 20 years.

Technical Assistance/Warranty Claims/Replacement Parts

Toll Free Number: **+1-800-835-4113** (only within the US),

Email: support@gamasonic.com, or

Visit our website to download the latest version of your instruction manual:

www.gamasonic.com or www.gamasonic.com/user-guides

Please read the instruction manual carefully to obtain the best results from your purchase.

NOTE: If you are replacing an existing gas/electric wall light, you must consult a certified technician to disconnect the current outlet before installation.

Solar Wall Light Location

For optimum light duration throughout the night, it is very important to mount your solar light in a spot where it will receive the maximum amount of direct sunlight throughout the day. A minimum of 2 hours of direct sunlight is required for basic operation.

NOTE: The following steps are for reference only. Consult your local hardware store for the best installation method for your chosen surface.

Assembly Instructions:

Step 1:

The GS Solar LED Bulb comes with a 2 year warranty. If it doesn't work, or if you want to use different color temperature bulb, it can be easily replaced.

Install the new GS Solar LED Bulb by turning into the bulb socket clockwise (Fig. 1).

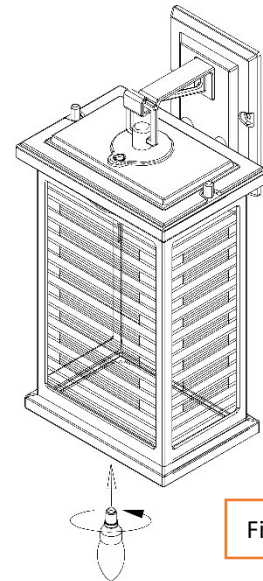


Fig. 1

Step 2: Turn the light ON

- 1) Unscrew the two screw caps and detach the top (Fig 2).
- 2) Turn the operation switch to the LOW or HIGH position according to your preferences (Fig 3):
 - (Low) For softer light and longer duration.
 - (High) For brighter light output.
- 3) Reattach the top and secure it with the two screw caps.

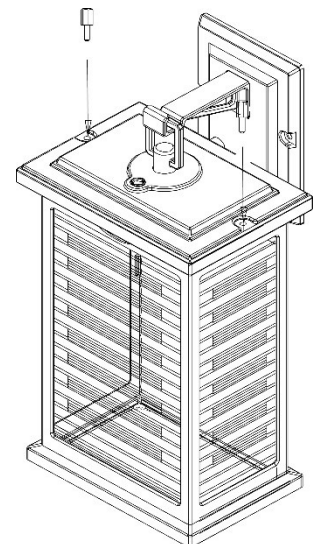


Fig. 2

NOTE: The solar lamp will automatically operate at dusk.

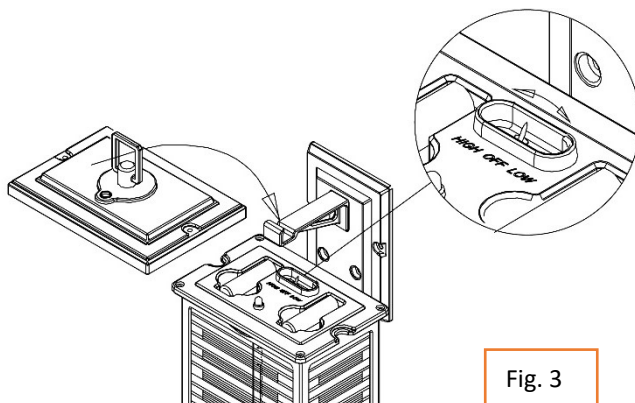


Fig. 3

Step 3: Mounting the light on the wall (Fig 4)

You are ready to mount the light fixture on the wall.

- 1) Use a drill to make two holes in the wall where the lamp will be mounted. (use the wall mount as a template for drilling locations)
- 2) Place the anchors into the holes and place the lamp in line with the holes.
- 3) Secure using provided screws.

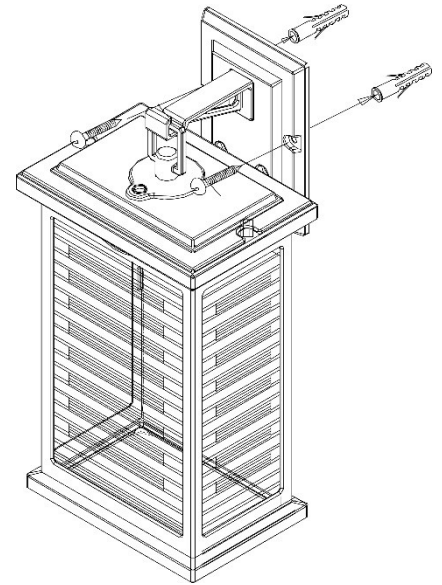


Fig. 4

Replacing the Battery:

(After several years of use, the battery may need replacing.)

1. Unscrew the two screw caps and detach the top (Fig 3).
2. Make sure the Low/OFF/High switch is in the OFF position (Fig 5).
3. Pull the battery out until you can see the battery connector.
4. Unclip the connector and remove the old battery.
5. Make sure the new battery is a Gama Sonic – 3.2V/1,500mAh, Li-ion Rechargeable battery with same connector.
6. Clip on the new battery and install it into the battery compartment.
7. Repeat steps 3 to 6 for the second battery.
8. Turn the light back ON (see **Step 2** for more details).
9. Reattach the top and secure it with the two screw caps.

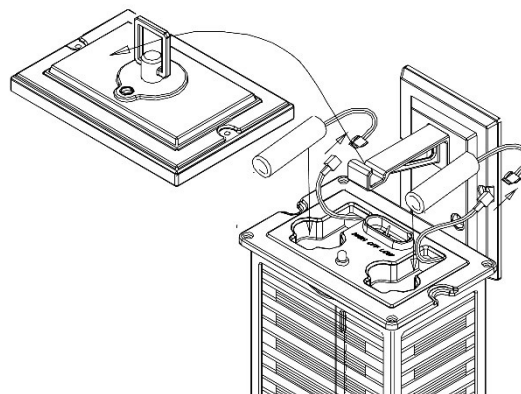


Fig. 5

**** Gama Sonic batteries are available at www.gamasonic.com**

You can purchase it directly at: <https://gamasonic.com/product-category/parts-and-accessories/> . Make sure the new battery is a [Gama Sonic - 3.2V/1,500mAh](#), Li-ion Rechargeable Battery with a connector.

**** Gama Sonic Bulbs are available at www.gamasonic.com**

You can purchase it directly at: <https://gamasonic.com/product-category/parts-and-accessories/>
Make sure the new bulb you purchase is compatible with this model (A50 bulb)

Maintenance

Clean the solar module regularly with a damp towel to guarantee optimum performance of the solar panel. Do not use any type of solvent for cleaning and be careful not to put too much pressure on the module while cleaning.

Troubleshooting

If your solar light does not come on at dusk despite observance of all the instructions, please try the following steps:

- 1) Make sure that the solar light is not being affected by any other light source.
- 2) Ensure the solar light is not positioned in the shade during the day.
- 3) Make sure the switch in the lamp head is in NOT on the " OFF" position.
- 4) Check that the batteries are installed correctly.
- 5) Check that the GS Solar LED Light Bulb is installed correctly.

WINTERTIME TIPS: Keep snow and debris cleaned off the solar panels so the batteries can recharge. If the lights are covered with snow for an extended period of time, after the snow melts, allow all the batteries to charge in full, direct sunlight for at least 6 hours to their maximum capacity.

WARNING: Please keep out of reach of children. Do not dispose of Li-Ion battery in the regular trash, municipal waste stream or by fire as batteries may leak or explode. Do not open, short circuit, or mutilate batteries as injury may occur. Preserve our environment by recycling Li-Ion batteries or disposing of them in accordance with local, state and federal regulations. Do not mix old and new batteries.

