

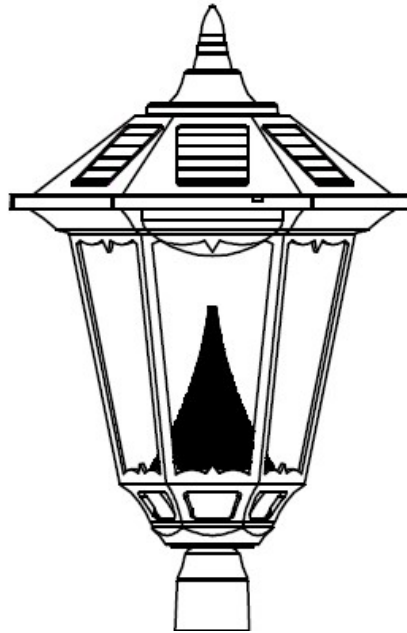


WINDSOR SOLAR LAMP

US Patent # 7172307

Instruction Manual

Models: GS-99F/F-L



Introduction

Thank you for your purchase. **GAMA SONIC®** solar charged accent lighting eliminates the problems associated with most solar lighting available today. **GAMA SONIC®** solar charged lights are brighter and last all night with a typical solar charge. Unique design, superior light output and numerous installation options confirm the outstanding value of our product.

GAMA SONIC® has been recognized as a worldwide leader in the lighting industry for over 20 years. The company also offers unique multi-purpose rechargeable products that range from party lights to emergency lighting products.

For technical assistance and more information call our Toll Free number:
800-835-4113 (only within the US) or visit our website at:
www.gamasonic.com.

Visit our website or download the latest version of your instruction manual:
www.gamasonic.com or www.gamasonic.com/user-guides

Please read the instruction manual carefully to obtain the best results from your purchase.

NOTE: If you are replacing an existing gas/electric post light, you must consult a certified technician to cancel them before installation.

Solar Lamp Location

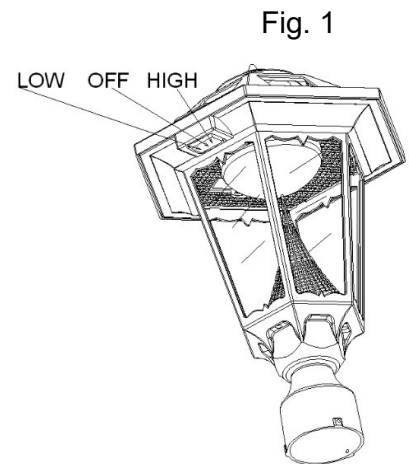
1. For optimum light duration throughout the night, it is very important to mount your solar lamp post in a spot where it will receive the maximum amount of direct sunlight throughout the day.
2. Make sure the solar panel is not going to be affected by any other light source at night. Otherwise the light will not turn ON at dusk.

NOTE: The following steps are for reference only. Consult your local hardware store for the best installation method for your particular surface.

NOTE: The solar light must be charged in full sun for two days in the “ON” position for best results.

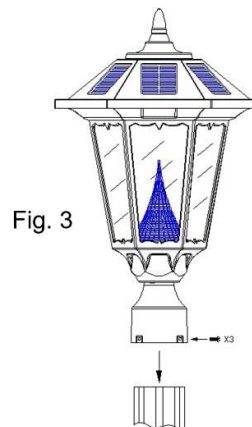
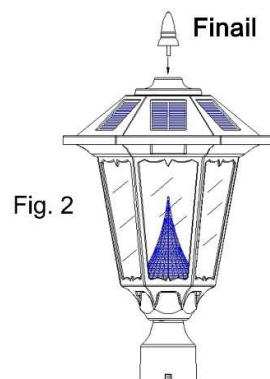
Operation Instructions

Turn the operation switch to High for maximum brightness or Low for longer duration (Usually used in winter time or in places where there is less sun exposure) (Fig. 1). Solar Lamp will automatically operate dusk to dawn.



Installation Instructions

1. Screw the Finial onto of the lamp top (Fig. 2)
2. Install the lamp onto your existing 3” post, and tighten to the post using the 3 screws provided (Fig. 3).



Replacing the Batteries

(After several years of use, the batteries may need replacing).

1. Make sure the ON/OFF switch is in the "OFF" position (0).
2. Unscrew the two screws on the upper part to detach it from the lamp (Fig. 4).
3. Unscrew the battery compartment's screws located on the silver reflector and remove the compartment doors (Fig. 5).
4. Unclip the battery connector and remove the old battery. Make sure the new batteries are high quality – 2 x Li-Ion Battery packs (3.2 Volt / 1500 mAh) with connector.
5. Install the new batteries into the battery compartment.
6. Reassemble the unit by reversing the above procedure.

Fig. 4

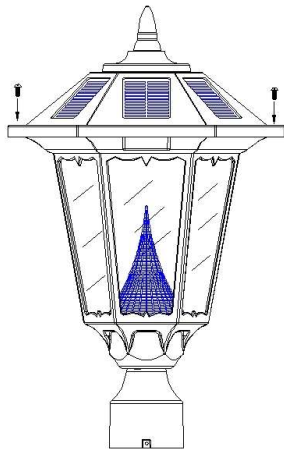
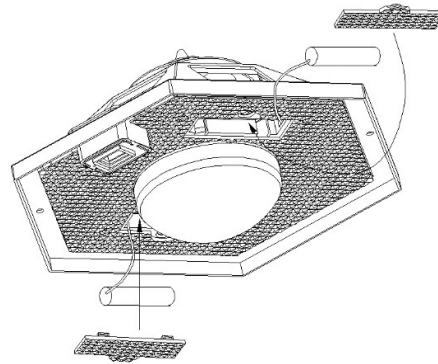


Fig. 5



**** Batteries are available at www.gamasonic.com**

WARNING: Do not dispose of Li-Ion battery in the regular trash, municipal waste stream or by fire as batteries may leak or explode. Do not open, short circuit, or mutilate batteries as injury may occur. Preserve our environment by recycling Li-Ion batteries or disposing of them in accordance with local, State and federal regulations. Do not mix old and new batteries.

Maintenance

Clean the solar panels regularly with a damp towel to guarantee optimum performance. Do not use any type of solvent for cleaning and be careful not to put too much pressure on the solar panels while cleaning.

Trouble Shooting

If your solar charged light does not come on at dusk despite observance of all the instructions, please try the following steps:

1. Make sure that the solar lamp post is not being affected by any other light source.
2. Ensure the solar lamp post is not positioned in the shade during the day.
3. Make sure the switch on the lamp head is in either the Low or High position.
4. Check that the batteries are installed correctly.

NOTE: The performance of the solar lamp post will vary with the time of year. It will deliver more light when it has had a full day in the sun rather than a day in overcast weather.

WINTERTIME TIPS: For optimal performance, be sure to remove any snow or debris accumulation from solar panel(s). A solar panel free of debris will charge the batteries much more efficiently.

WARNING: Please keep out of reach of children.

