

# **GAMA SONIC<sup>®</sup>**


## **SOLAR LIGHTING**



### **Light My Shed IV- Solar Shed Light with 2 Lights Included**

US patent # 9458970; D543,500

Version 1.1

 Please read the instruction manual carefully to obtain the best results from your purchase.

**Thank you for your purchase! GAMA SONIC®** solar charged lights are brighter and last all night with a typical solar charge. Unique design, superior light output and numerous installation options confirm the outstanding value of our product. GAMA SONIC® has been recognized as a worldwide leader in the lighting industry for over 20 years.

**Technical Assistance/Warranty Claims/Replacement Parts**  
**Toll Free Number: +1-800-835-4113 (only within the US) or [www.gamasonic.com](http://www.gamasonic.com)**

**Visit our website or download the latest version of your instruction manual:**  
**[www.gamasonic.com](http://www.gamasonic.com) or [www.gamasonic.com/user-guides](http://www.gamasonic.com/user-guides)**

### Gama Sonic's Bulb Technology

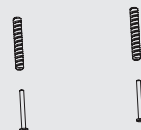
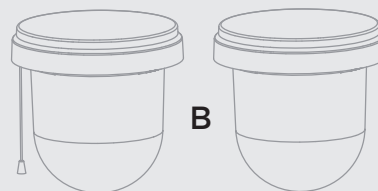
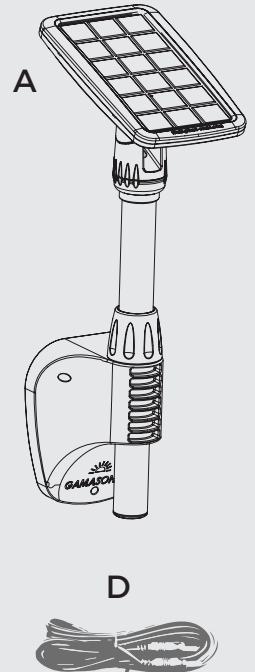
Gama Sonic's patented Bulb technology gives your solar lamp the look and feel of a traditional incandescent lamp. This helps to distribute light further than traditional solar lamps.

### Solar Lamp Location

For optimum light duration throughout the night, it is very important to mount your solar panel in a spot where it will receive the maximum amount of direct sunlight throughout the day.

### What's in the Box

- A = Solar Panel
- B = Fixture  
(2x for 16B02)
- C = Mounting Bracket  
(2x for 16B02)
- D = Connecting Cord  
(16B02 Only)



Hardware

Bulb(s)



## Assembly Instructions

### Solar Panel Installation

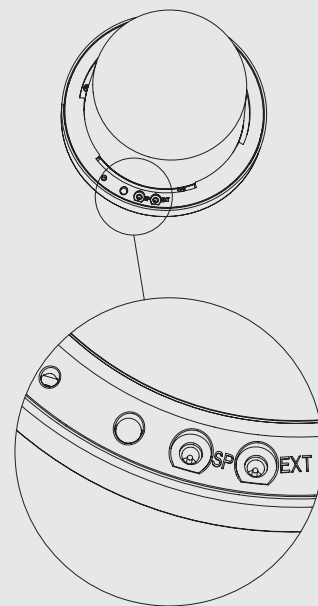
- Using the solar panel (A) as a template, mark the location of the three mounting holes and a hole for the cord.
- If using the anchors, drill three holes no larger than the anchors. If not using anchors, drill a hole of appropriate size for the screws being used.
- Drill out the hole for the cord.
- Slide the cord through the cord hole and secure the panel using the three screws.
- Adjust the solar panel (A) so the panel is facing south and angled at 45 degrees for maximum sun exposure. You can turn the panel by loosening the adjustment knob at the base of the solar panel (A).

Light Installation (repeat for second lamp if installing the double light version)

- Make sure the light is within reach of the cord from the solar panel (A).  
**NOTE:** If using the double light version, make sure the second light is close enough to the first light to use the connecting cord (D).
- Using the mounting bracket (C) as a template, mark and drill two holes.  
**NOTE:** Make sure the open part of the channel is facing up if mounting on a wall.
- Slide the fixture (B) on the bracket.
- Plug the cord from the solar panel (A) into the fixture (B) where it says "SP"
- If using the double light version, plug the connecting cord (D) into the first fixture (B) where it says "EXT" and then into the second fixture (B).
- Install the GS Solar LED Bulb per the Operation Instructions.
- The lamp is ready to be used.

## Operation Instructions

- Remove the clear dome from the fixture (B) by twisting counter clockwise.
- Insert the GS Solar LED Bulb into the fixture by twisting clockwise.
- Replace the clear dome on the fixture (B) by twisting clockwise.
- Turn the lamp on by pulling the cord.
- Turn the lamp off by pulling the cord again.
- The red indicator light will be lit when the battery is being charged by the sun.



## Replacement Parts

Replacement Batteries and Bulbs are available at [www.gamasonic.com](http://www.gamasonic.com) or via our Toll Free number: +1-800-835-4113.

Your Lamp can use the following bulbs:

A60BW20W - included bulb with Bright White LEDs (6000K)

A60WW20W - bulb with Warm White LEDs (2700K)

Your lamp uses the following battery:

GS48V20

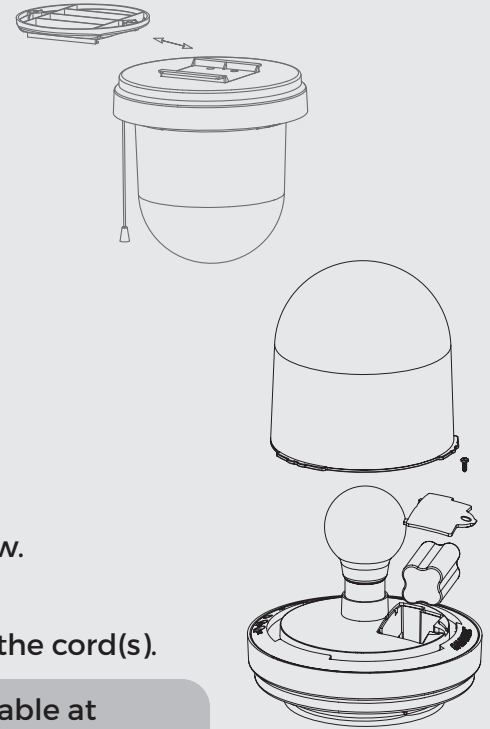


Replacing the Batteries 1 (If using the double light version, there is only one battery for both lights which is located in the fixture (B) that the solar panel plugs into)

After several years of use, the batteries may need replacing.

## Steps

1. Remove the fixture (B) that has the solar panel cord plugged into it from its mounting bracket (C).
2. Remove the clear dome and bulb from the unit.
3. Unscrew and remove the battery compartment cover.
4. Unclip the battery connector and remove the battery.  
Make sure the new battery is a high quality Ni-Mh battery with matching connector (part# GS48V20).
5. Attach the new battery and install it in the compartment.
6. Attach the battery compartment cover and secure with the screw.
7. Re-install the bulb and clear dome.
8. Re-install the fixture (B) to the mounting bracket (C) and attach the cord(s).



Replacement Batteries and Bulbs are available at [www.gamasonic.com](http://www.gamasonic.com)

## Maintenance

Clean the solar panels regularly with a damp towel to guarantee optimum performance. Do not use any type of solvent for cleaning and be careful not to put too much pressure on the solar panels while cleaning.

## Troubleshooting

If your solar light does not come on as expected despite observance of all the instructions, please try the following steps:

1. Make sure that the solar lamp is not being affected by any other light source.
2. Ensure the solar lamp is not positioned in the shade during the day.
3. Check that the batteries are installed correctly.

**NOTE:** The performance of the solar lamp will vary with the time of year. It will last longer when it has had a full day in the sun rather than a day in overcast weather.



**WINTERTIME TIPS:** For optimal performance, be sure to remove any snow or debris accumulation from solar panel(s). A solar panel free of debris will charge the batteries much more efficiently.

**WARNING:** Please keep out of reach of children. Do not dispose of the Li-Ion battery in the regular trash, municipal waste stream or by fire as batteries may leak or explode. Do not open, short circuit, or mutilate batteries as injury may occur. Preserve our environment by recycling Li-Ion batteries or disposing of them in accordance with local, State and federal regulations. Do not mix old and new batteries.

