

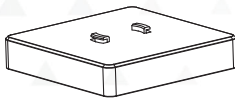
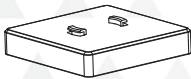
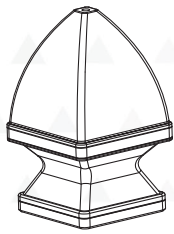
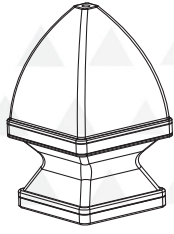
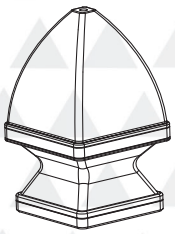
GAMA SONIC®

SOLAR LIGHTING

143iP2902KIT



143iP2900KIT



2 - FLAT SURFACE
BRACKETS


2 - 4" VINYL FENCE
POST CAPS

2 - 5" VINYL FENCE
POST CAPS

GOTHIC SOLAR POST CAP LIGHT KIT - 2 PACK

Part # 143iP2900KIT, 143iP2902KIT

Version 1.2

 Please read the instruction manual carefully to obtain the best results from your purchase.

Thank you for your purchase. GAMA SONIC® solar charged lights are brighter and last all night with a typical solar charge. Unique design, superior light output and numerous installation options confirm the outstanding value of our product.

GAMA SONIC® has been recognized as a worldwide leader in the lighting industry for over 20 years. The company also offers unique products from multi-purpose solar lamps to emergency lighting products.

**For technical assistance and more information call our Toll-Free number:
800-835-4113 (only within the US)**

Or

**visit our website or download the latest version of your instruction manual:
www.gamasonic.com Or www.gamasonic.com/user-guides**

3 Mounting Options In One Box

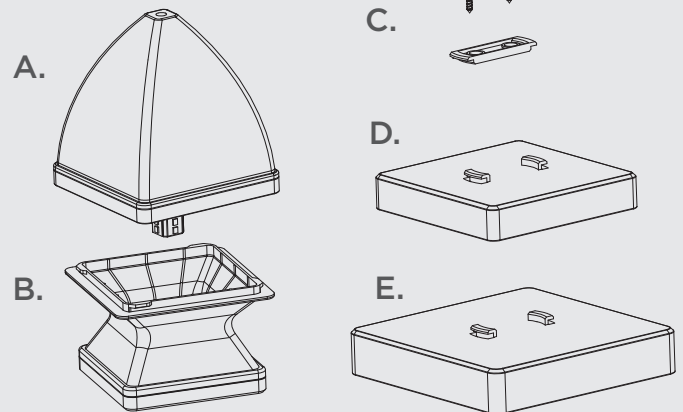
Gama Sonic's Gothic Solar Post Cap Light Kit allows you to mount your lamp on virtually any fence post. The flat mount allows you to mount the lamp on any flat surface while the 4" and 5" caps allow you to mount the lamp directly to a vinyl fence post for a seamless look.

Solar Lamp Location

For optimum light duration throughout the night, it is very important to mount your solar lamp in a spot where it will receive the maximum amount of direct sunlight throughout the day.

What's In The Box:

- A. Solar lamp top (x2)
- B. Fixture (x2)
- C. Flat surface bracket with screws (x2)
- D. 4" Vinyl bracket (x2)
- E. 5" Vinyl bracket (x2)

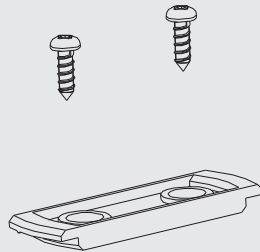


Assembly Instructions

You can install the light using the Flat mount (Part C) or using the 4"/5" caps (Parts D or E)

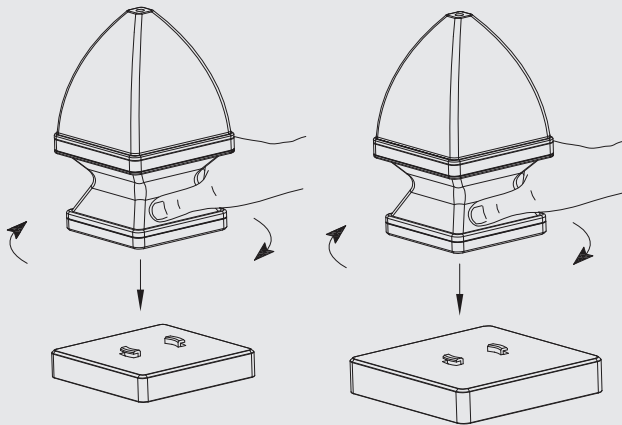
Installing the Flat Mount:

- Locate the center of your surface and place the flat mount (Part C) making sure the locking tabs are facing up.
- Attach the mount using the provided screws/anchors.



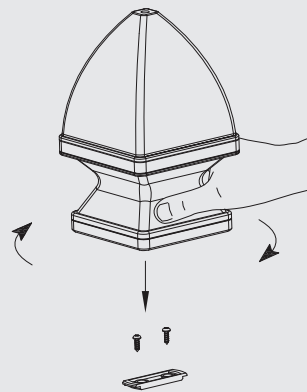
Installing the 4" or 5" cap:

- Attach the 4" or 5" cap (Part D or E) to your post using an adhesive. Refer to your posts manufacturers recommendations for the specific type of adhesive to use.



Installing the light:

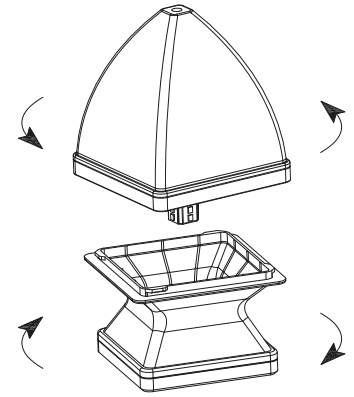
- Place the light on top of bracket (Part C, D, or E) and twist it clockwise until you feel it click into place.



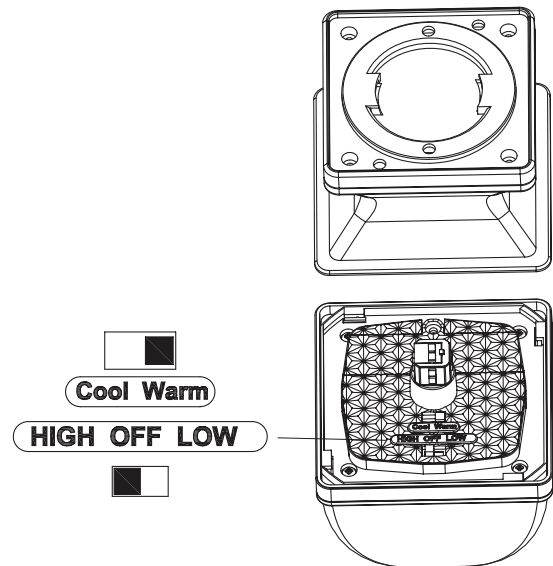
Operation Instructions

(follow these instructions for each lamp)

- Remove Part A from Part B by turning Part A counterclockwise.



- Move the operation switch to the LOW or HIGH position according to your preferences:
 - Low: For softer light and longer duration.
 - High: For brighter light output.
- Choose between Warm White (WARM) or Bright White (COOL) color output.
- The solar light will automatically operate at dusk.



Replacement Parts

Replacement Batteries are available at www.gamasonic.com or via our Toll Free number: +1-800-835-4113.

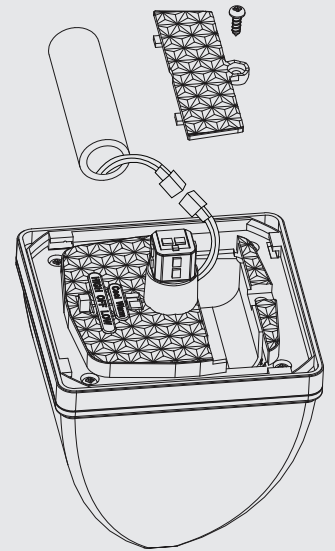
**Each of your lamps uses the following battery:
GS32V15**



Batteries are available for purchase at www.gamasonic.com

After several years of use, the battery may need replacing.

1. Remove the light from the post bracket by turning it counterclockwise.
2. Remove Part A from Part B by turning Part A counterclockwise.
3. Move the operation switch to the OFF position.
4. Unscrew the battery compartment screw and remove the compartment door.
5. Remove the battery from the compartment and unclip it.
6. Make sure the new battery is a high quality Li-Ion Battery pack (3.2V/1500mAh) with matching connector (Part# GS32V15).
7. Clip in the new battery and secure it in the compartment using the compartment door and screw.
8. Switch the lamp back on to your desired setting.
9. Assemble the lamp back on the post by reversing steps 1 and 2.



MAINTENANCE

Clean the solar panels regularly with a damp towel to guarantee optimum performance. Do not use any type of solvent for cleaning and be careful not to put too much pressure on the solar panels while cleaning.

TROUBLESHOOTING

If your solar light does not come on as expected despite observance of all the instructions, please try the following steps:

1. Make sure that the solar lamp is not being affected by any other light source.
2. Ensure the solar lamp is not positioned in the shade during the day.
3. Check that the batteries are installed correctly.

NOTE: The performance of the solar lamp will vary with the time of year. It will last longer when it has had a full day in the sun rather than a day in overcast weather.



WINTERTIME TIPS: For optimal performance, be sure to remove any snow or debris accumulation from solar panel(s). A solar panel free of debris will charge the batteries much more efficiently.

WARNING: Please keep out of reach of children.



WARNING: Please keep out of reach of children. Do not dispose of Li-Ion battery in the regular trash, municipal waste stream or by fire as batteries may leak or explode. Do not open, short circuit, or mutilate batteries as injury may occur. Preserve our environment by recycling Li-Ion batteries or disposing of them in accordance with local, state and federal regulations. Do not mix old and new batteries.