

GAMA SONIC[®]

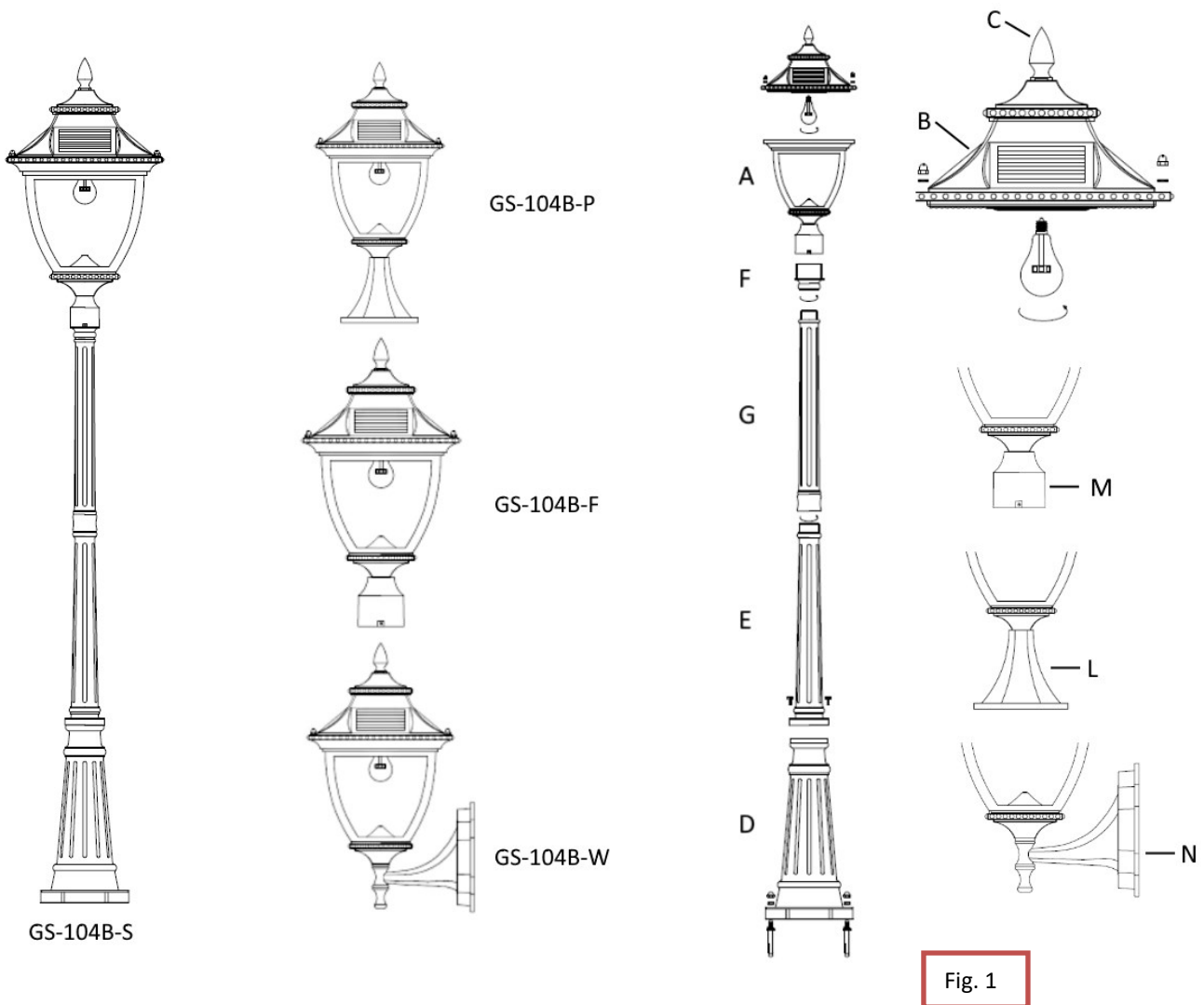
SOLAR LIGHTING

PAGODA BULB SOLAR LAMPS

US Patent # 7172307 /9458970

Instruction Manual

Model: GS-104B-S/F/P/W



Introduction

Thank you for your purchase! GAMA SONIC® solar charged lighting eliminates the problems associated with most solar lighting available today. GAMA SONIC® solar charged lights are brighter and last all night with a typical solar charge. Unique design, superior light output and numerous installation options confirm the outstanding value of our product.

GAMA SONIC® has been recognized as a worldwide leader in the lighting industry for over 20 years. The company also offers unique multi-purpose rechargeable products that range from party lights to emergency lighting products.

Technical Assistance/Warranty Claims/Replacement Parts

Toll Free Number: **+1-800-835-4113** (only within the US) or www.gamasonic.com

Visit our website or download the latest version of your instruction manual:

www.gamasonic.com/user-guides

Please read the instruction manual carefully to obtain the best results from your purchase.

WARNING: GAMA SONIC® Light bulbs are built and designed for Gama Sonic products only. They are not designed to be used in other electrical sockets. For the same reason, regular AC and/or Low Voltage bulbs cannot be used in Gama Sonic products.

NOTE: If you are replacing an existing gas or electric light, you must consult a certified technician to disconnect the gas or electricity before installation of solar lamp.

Solar Lamp Post Location

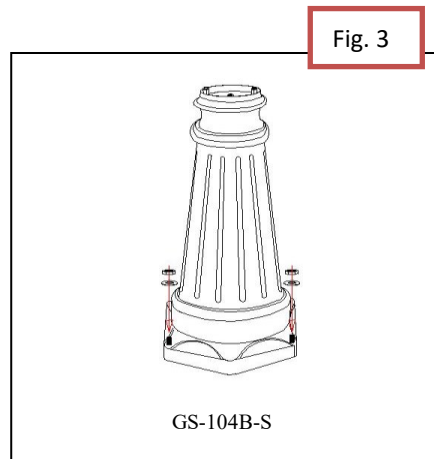
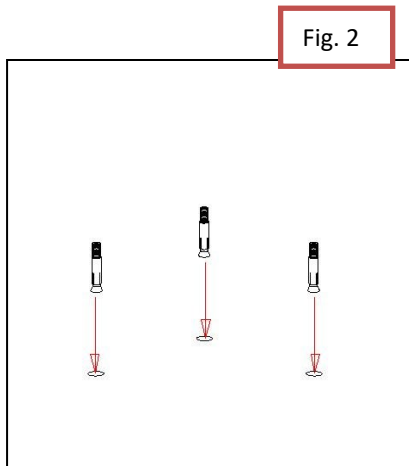
For optimum light duration throughout the night, it is very important to mount your solar light in a spot where it will receive at least 2-3 hours of direct sunlight.

Operation Instructions for all models

1. Unscrew the two knobs on the lamp top (B) to detach it from Part A.
2. Install the new GS Solar LED Bulb by turning into the bulb socket clockwise.
NOTE: Make sure to grip the light bulb by the base only and NOT the glass lens.
3. Turn ON the light by choosing your desired brightness level:
Low (I) - last longer using dimmer light.
High (II)- Brighter light output. (Fig. 4).
4. Reassemble the upper part of the lamp (B) with part (A) by attaching the two knobs.
5. Install the finial (C) into the top (B) by twisting is clockwise.

GS-104B-S

1. Mark and drill three holes, into a solid surface no smaller than the fastening screws. The holes need to be lined up with the holes of the lamp base (D).
2. Put the fastening screws (included) into the drilled holes with their threaded ends facing up (Fig. 2).
3. Place lamp base onto fastening screws and secure base with the nuts using a wrench (Fig 3).
4. Make sure the lamp base (D) is stable before installing Part (E).
5. Place part (E) on top of part (D) and tighten with the provided screws using a wrench.
6. Screw part (G) onto part (E) and part (F) onto part (G).
7. Place Part (A) on top of Part (F) and tighten the 3 screws.



For models GS-104B-F/P/W

Install the desired bracket [3” Fitter (M), Post (L), Wall (N)] into light fixture (A) by turning it clockwise.

GS-104B-P

Use a drill to make two holes in the desired surface, place provided anchors into holes, place the base (L) in line with the holes and secure using the provided screws.

GS-104B-F

Place Part (M) on top of your existing 3” post and tighten the 3 screws provided to secure the lamp.

GS-104B-W

NOTE: Position your solar lamp facing south for best results.

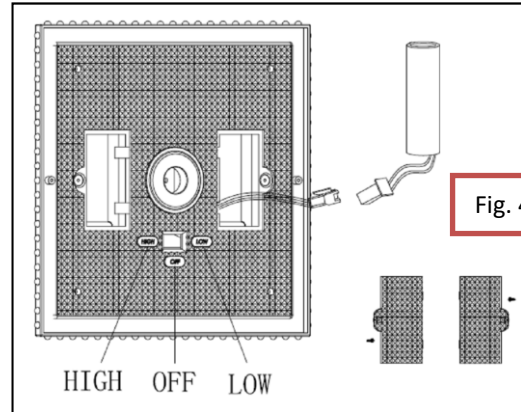
Use a drill to make two holes in the wall, place provided anchors into holes, place the wall bracket (N) in line with the holes and secure using the provided screws.

Replacing the Batteries

(After several years of use, the batteries may need replacing).

Unscrew the two knobs in the upper part of the lamp (B) to detach it from Part A.

1. Make sure the ON/OFF switch is in the “OFF” position (0).
2. Unscrew the battery compartment’s screw located on the silver reflector and remove the old battery pack by unclipping from connector. Make sure the new battery pack is high quality – 2 x Li-Ion Battery Pack (3.2 Volt / 1500 Ma) (Fig. 4).
3. Clip new battery pack into connector and install the new battery pack into the battery compartment.
4. Reassemble the unit by reversing the above procedure.



Maintenance

Clean the solar module regularly with a damp towel to guarantee optimum performance of the solar panel. Do not use any type of solvent for cleaning and be careful not to put too much pressure on the module while cleaning.

Troubleshooting

If your solar charged light does not come on at dusk despite observance of all the instructions, please try the following steps:

1. Make sure that the solar light is not being affected by any other light source.
2. Ensure the solar light is not positioned in the shade during the day.
3. Make sure the switch in the lamp head is in NOT on the “OFF” position.
4. Check that the batteries are installed correctly.
5. Check that the GS Solar LED Light Bulb is installed correctly.

WINTERTIME TIPS: Keep snow and debris cleaned off the solar panels so the batteries can recharge. If the lights are covered with snow for an extended period of time, after the snow melts, allow all the batteries to charge in full, direct sunlight for at least 6 hours to their maximum capacity.

WARNING: Please keep out of reach of children. Do not dispose of Li-Ion battery in the regular trash, municipal waste stream or by fire as batteries may leak or explode. Do not open, short circuit, or mutilate batteries as injury may occur. Preserve our environment by recycling Li-Ion batteries or disposing of them in accordance with local, state and federal regulations. Do not mix old and new batteries.